

SF10-
M1KTB-B

Multi-function LED beacon, IP66, Ø100mm 12-24V DC, terminal block/buzzer/blue



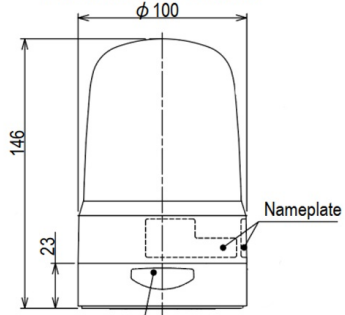
Specifications

Brand	Patlite	Material	Polycarbonate
Buzzer	Yes	Mounting and connection type	-30°C to +80°C
CE certificate	Yes	Operating temperature	-20°C to +50°C
Cable length	500mm	Operating voltage	10-30V DC
Certificates, quality marks, markings	CE, cULus, EAC, KC	Particularities	Rotates 60x, 120x and 180x/minute or flashes 60x, 90x and 120x/minute or pulses 20x/minute
Colour lens	Blue	Rated current	12V DC 0,64A / 24V DC 0,34A
Dimensions	Ø100mm x 146mm	Rated voltage	12-24V DC
Impact resistance	4,5G	Relative humidity	Less than 90% (no condensation) at 20°C
Ingress protection	IP66	Sound level (max)	88dB
LED life	100 000h	UL certificate	Yes
Light patterns	Rotating, flashing, pulsing, dimming and omni- or unidirectional	Voltage	12V DC / 24V DC
Luminous intensity	400cd	Weight	400g

Good to know

This multifunctional LED beacon has 22 light patterns, divided into 10 groups with 4 levels each, from which to choose. You can easily configure the light pattern by adjusting the rotary switch and closing or opening the contacts externally. A good application example is adjusting the rotation speed depending on the degree of danger.

■ SF10-M1KTB/SF10-M2KTB



(Models with Buzzer Only)