

SF10-  
M1KTB-R

## Multi-function LED beacon | IP66 | Ø100mm | 12-24V DC | terminal block | buzzer | red



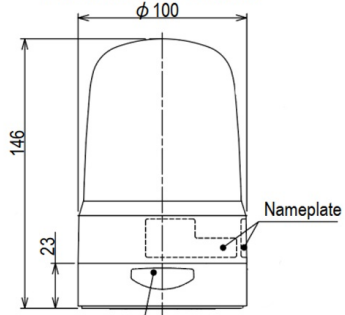
### Specifications

|                                       |  |                       |  |
|---------------------------------------|--|-----------------------|--|
| Brand                                 | Patlite  | Operating temperature | -20°C to +50°C   |
| Buzzer                                | Yes  | Operating voltage     | 10-30V DC  |
| CE certificate                        | Yes  | Particularities       | Rotates 60x, 120x and 180x/minute or flashes 60x, 90x and 120x/minute or pulses 20x/minute |
| Cable length                          | 500mm  | Rated current         | 12V DC 0,64A / 24V DC 0,34A  |
| Certificates, quality marks, markings | CE, cULus, EAC, KC   | Rated voltage         | 12-24V DC  |
| Colour lens                           | Red  | Relative humidity     | Less than 90% (no condensation) at 20°C  |
| Dimensions                            | Ø100mm x 146mm   | Sound level (max)     | 88dB   |
| Impact resistance                     | 4,5G   | Type                  | Pre-configured   |
| Ingress protection                    | IP66   | UL certificate        | Yes  |
| LED life                              | 100 000h   | Voltage               | 12V DC / 24V DC  |
| Light patterns                        | Rotating, flashing, pulsing, dimming and omni- or unidirectional | Weight                | 400g   |
| Luminous intensity                    | 750cd  |                       |  |
| Material                              | Polycarbonate  |                       |  |
| Mounting and connection type          | -30°C to +80°C   |                       |  |

### Good to know

This multifunctional LED beacon has 22 light patterns, divided into 10 groups with 4 levels each, from which to choose. You can easily configure the light pattern by adjusting the rotary switch and closing or opening the contacts externally. A good application example is adjusting the rotation speed depending on the degree of danger.

■ SF10-M1KTB/SF10-M2KTB



(Models with Buzzer Only)