

SF10-
M2KTB-G

Multi-function LED beacon | IP66 | Ø100mm
| 100-240V AC | terminal block | buzzer |
green



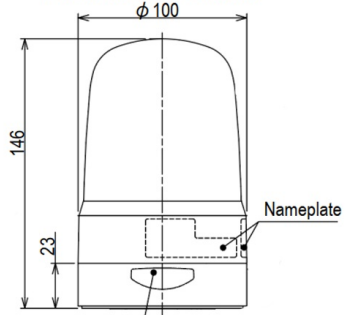
Specifications

Brand	Patlite	Operating temperature	-20°C to +50°C
Buzzer	Yes	Operating voltage	90-250V AC
CE certificate	Yes	Particularities	Rotates 60x, 120x and 180x/minute or flashes 60x, 90x and 120x/minute or pulses 20x/minute
Cable length	500mm	Rated current	100V AC 0,19A / 240V AC 0,08A
Certificates, quality marks, markings	CE, cULus, EAC, KC	Rated voltage	100-240V AC (50/60Hz)
Colour lens	Green	Relative humidity	Less than 90% (no condensation) at 20°C
Dimensions	Ø100mm x 146mm	Sound level (max)	88dB
Impact resistance	4,5G	Type	Pre-configured
Ingress protection	IP66	UL certificate	Yes
LED life	100 000h	Voltage	115V AC / 230V AC
Light patterns	Rotating, flashing, pulsing, dimming and omni- or unidirectional	Weight	430g
Luminous intensity	750cd		
Material	Polycarbonate		
Mounting and connection type	-30°C to +80°C		

Good to know i

This multifunctional LED beacon has 22 light patterns, divided into 10 groups with 4 levels each, from which to choose. You can easily configure the light pattern by adjusting the rotary switch and closing or opening the contacts externally. A good application example is adjusting the rotation speed depending on the degree of danger.

■ SF10-M1KTB/SF10-M2KTB



(Models with Buzzer Only)