

SL08-
M1KTB-B

LED steady/flash beacon, IP66, Ø80mm 12-24V DC, terminal block/buzzer/blue



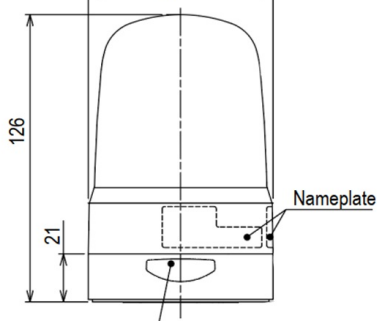
Specifications

Brand	Patlite	Material	Polycarbonate
Buzzer	Yes	Mounting and connection type	-30°C to +80°C
CE certificate	Yes	Operating temperature	-20°C to +50°C
Cable length	500mm	Operating voltage	10-30V DC
Certificates, quality marks, markings	CE, cULus, EAC, KC	Particularities	Blinks 180x/minute or flashes 120x/minute
Colour lens	Blue	Rated current	12V DC 0,24A / 24V DC 0,14A
Dimensions	Ø80mm x 126mm	Rated voltage	12-24V DC
Impact resistance	4,5G	Relative humidity	Less than 90% (no condensation) at 20°C
Ingress protection	IP66	Sound level (max)	86dB
LED life	100 000h	UL certificate	Yes
Light patterns	Steady, blinking and triple flash	Voltage	12V DC / 24V DC
Luminous intensity	35cd	Weight	240g

Good to know i

Standard light functions with flash settings typify this LED beacon. The newly developed Fresnel lens distributes uniform light from all surfaces of the dome, including the top.

■ SL08-M1KTB/SL08-M2KTB
φ 80



(Models with Buzzer Only)