

SL10-
M1KTB-B

LED beacon | steady/flash | IP66 | Ø100mm
| 12-24V DC | terminal block | buzzer | blue



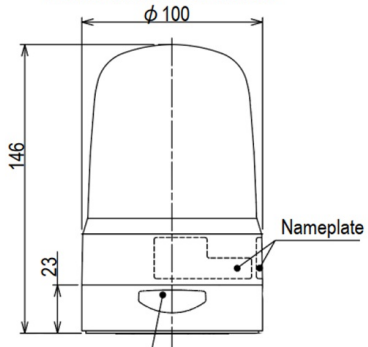
Specifications

Brand	Patlite	Operating temperature	-20°C to +50°C
Buzzer	Yes	Operating voltage	10-30V DC
CE certificate	Yes	Particularities	Blinks 180x/minute or flashes 120x/minute
Cable length	500mm	Rated current	12V DC 0,22A / 24V DC 0,12A
Certificates, quality marks, markings	CE, cULus, EAC, KC	Rated voltage	12-24V DC
Colour lens	Blue	Relative humidity	Less than 90% (no condensation) at 20°C
Dimensions	Ø100mm x 146mm	Sound level (max)	88dB
Impact resistance	4,5G	Type	Pre-configured
Ingress protection	IP66	UL certificate	Yes
LED life	100 000h	Voltage	12V DC / 24V DC
Light patterns	Steady, blinking and triple flash	Weight	370g
Luminous intensity	45cd		
Material	Polycarbonate		
Mounting and connection type	-30°C to +80°C		

Good to know

Standard light functions with flash settings typify this LED beacon. The newly developed Fresnel lens distributes uniform light from all surfaces of the dome, including the top.

■ SL10-M1KTB/SL10-M2KTB



(Models with Buzzer Only)