

SL10-  
M2KTB-R

## LED steady/flash beacon, IP66, Ø100mm 100-240V AC, terminal block/buzzer/red



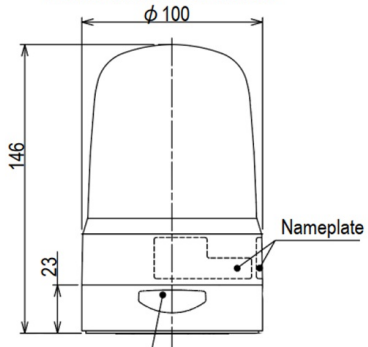
### Specifications

Brand	Patlite	Material	Polycarbonate
Buzzer	Yes	Mounting and connection type	-30°C to +80°C
CE certificate	Yes	Operating temperature	-20°C to +50°C
Cable length	500mm	Operating voltage	90-250V AC
Certificates, quality marks, markings	CE, cULus, EAC, KC	Particularities	Blinks 180x/minute or flashes 120x/minute
Colour lens	Red	Rated current	100V AC 0,09A / 240V AC 0,05A
Dimensions	Ø100mm x 146mm	Rated voltage	100-240V AC (50/60Hz)
Impact resistance	4,5G	Relative humidity	Less than 90% (no condensation) at 20°C
Ingress protection	IP66	Sound level (max)	88dB
LED life	100 000h	UL certificate	Yes
Light patterns	Steady, blinking and triple flash	Voltage	115V AC / 230V AC
Luminous intensity	85cd	Weight	400g

### Good to know

Standard light functions with flash settings typify this LED beacon. The newly developed Fresnel lens distributes uniform light from all surfaces of the dome, including the top.

■ SL10-M1KTB/SL10-M2KTB



(Models with Buzzer Only)