

SL10-
M2KTB-Y

LED steady/flash beacon, IP66, Ø100mm 100-240V AC, terminal block/buzzer/yellow



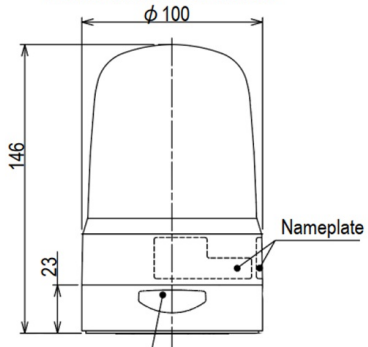
Specifications

Brand	Patlite	Material	Polycarbonate
Buzzer	Yes	Mounting and connection type	-30°C to +80°C
CE certificate	Yes	Operating temperature	-20°C to +50°C
Cable length	500mm	Operating voltage	90-250V AC
Certificates, quality marks, markings	CE, cULus, EAC, KC	Particularities	Blinks 180x/minute or flashes 120x/minute
Colour lens	Yellow	Rated current	100V AC 0,09A / 240V AC 0,05A
Dimensions	Ø100mm x 146mm	Rated voltage	100-240V AC (50/60Hz)
Impact resistance	4,5G	Relative humidity	Less than 90% (no condensation) at 20°C
Ingress protection	IP66	Sound level (max)	88dB
LED life	100 000h	UL certificate	Yes
Light patterns	Steady, blinking and triple flash	Voltage	115V AC / 230V AC
Luminous intensity	100cd	Weight	400g

Good to know

Standard light functions with flash settings typify this LED beacon. The newly developed Fresnel lens distributes uniform light from all surfaces of the dome, including the top.

■ SL10-M1KTB/SL10-M2KTB



(Models with Buzzer Only)