

210700-05

PWM dimmer DIMMbox, M12, 3 digital inputs

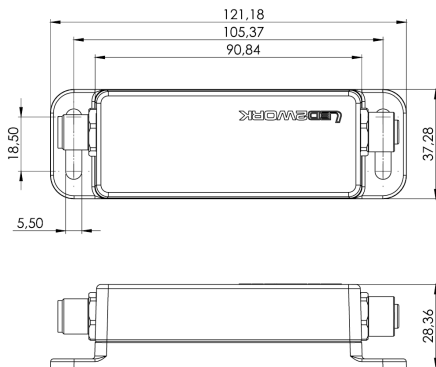
LED2WORK | Dimmer

EAN: 4260556625409



Specifications

Brand	LED2WORK	Packaging	1 piece
Compatible product	Witte LEDs	Rated current	4000mA
Connection	M12 (A coded)	Rated voltage	24V DC
Controller	Extern	Type	Externe PWM dimmer
Dimensions	122mm x 33mm x 29mm	Weight	100g
Ingress protection	IP54		



PWM Dimmer via 5-polige M12 stekker PIN 3 = GND				
Lichtintensiteit	PIN 1	PIN 2	PIN 4	PIN 5
100%	24VDC	1	0	0
90%	24VDC	0	0	1
75%	24VDC	0	1	0
66%	24VDC	0	0	0
50%	24VDC	0	1	1
33%	24VDC	1	0	1
25%	24VDC	1	1	0
10%	24VDC	1	1	1
OFF	N.C. of GND	0	0	0

