

210700-05

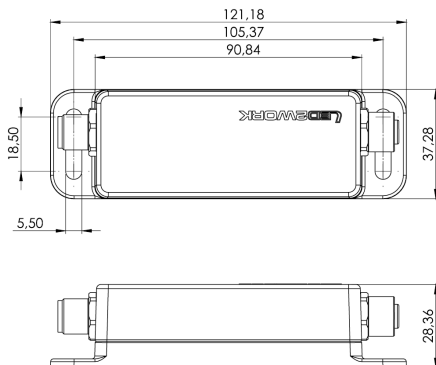
PWM dimmer | PLC controle met 3 ingangen | M12 in/uit

EAN: 4260556625409



Specificaties

Aansluiting	M12 (A-code), 5-pin	Merk	LED2WORK
Afmetingen	122mm x 37mm x 29mm	Nominale spanning	24V DC
Compatibel product	Witte LEDs	Nominale stroom	4000mA
Gewicht	100g	Regelaar	Via PLC
IP-aanduiding	IP54	Type	Dimmer



PWM Dimmer via 5-polige M12 stekker PIN 3 = GND				
Lichtintensiteit	PIN 1	PIN 2	PIN 4	PIN 5
100%	24VDC	1	0	0
90%	24VDC	0	0	1
75%	24VDC	0	1	0
66%	24VDC	0	0	0
50%	24VDC	0	1	1
33%	24VDC	1	0	1
25%	24VDC	1	1	0
10%	24VDC	1	1	1
OFF	N.C. of GND	0	0	0

